

# Aquasyn Diaphragms

## Materials

Aquasyn's diaphragms are precision molded in the open position to tight tolerances for superior service life and made of approved materials which will not affect the purity of the most sensitive of processes. Also, certificates of conformance with lot traceability are supplied as standard procedure on all diaphragms.

All diaphragms are manufactured of USP and/or FDA compliant materials. Our proprietary Ultraz<sup>®</sup> diaphragms conform to USP Class VI, ASME-BPE and have passed the CFR 21 177.2600 extractables test.

## Material Options Include:

- EPDM
- Fluoropolymer faced (TFM 1700)/EPDM
- Silicone
- Viton
- Black Ultraz<sup>®</sup> Fluorelastomer
- White Ultraz<sup>®</sup> Fluorelastomer

## Diaphragm Dimensions:

Size	'A'	'B'
1/4"-1/2"	1.18"	1.18"
3/4"	1.70"	1.83"
1	2.56"	2.80"
1 1/2"	3.47"	3.67"
2"	4.12"	4.12"
3"-4"	6.04"	6.44"



## Diaphragm Temperature Range:

-70° C                      EPDM Rubber                      130° C

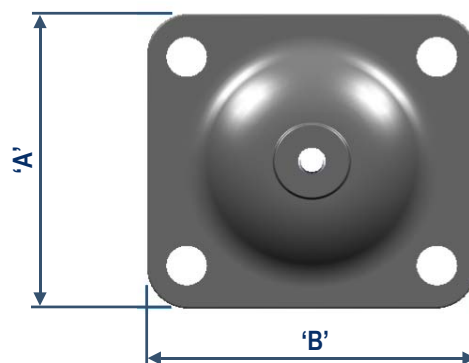
-20° C                      Rubber/PTFE                      150° C

-20° C                      Ultraz<sup>™</sup> Rubber                      160° C

*These temperature ranges are for guidance only under static conditions and atmospheric pressures.*

## Diaphragm Order Codes:

Valve Size	Materials				
	EPDM	PTFE	Silicone	Ultraz	Viton
1/4"-1/2"	D08E	D08P	D08S	D08U	D08V
3/4"	D12E	D12P	D12S	D12U	D12V
1	D16E	D16P	D16S	D16U	D16V
1 1/2"	D24E	D24P	D24S	D24U	D24V
2"	D32E	D32P	N/A	D32U	D32V
3"	D46E	N/A	N/A	D46U	D46V
4"	D64E	N/A	N/A	D64U	D64V



**Aquasyn LLC**

9525 Owensmouth Ave, Unit E, Chatsworth, CA 91311 Tel: 818 350 0423 Fax: 818 350 0424

Web: [www.aquasyn.com](http://www.aquasyn.com)

E-mail: [sales@aquasyn.com](mailto:sales@aquasyn.com)

